

Multi-Use Horn Press HP-24

Now – a low cost multi-use hydraulic press! Construction is of 4" plate with a full 24" throat and 2" Stroke.

Easy hydraulic operation – up and down foot switch – require little training. The entire 2" stroke is powered at 12 tons with a proven reliable hydraulic unit. Plugs into any properly fused 115VAC outlet.

Tooling is available for punching, shearing, bending, and notching of angles and flats.

The two speed pump gives rapid advance with a complete round trip cycle of 3 seconds (unloaded).

Machine comes standard with a Style "R" horn. Other horns and tooling are sold separately. Customization of tooling and horns is always available.

Interchangeable Horns

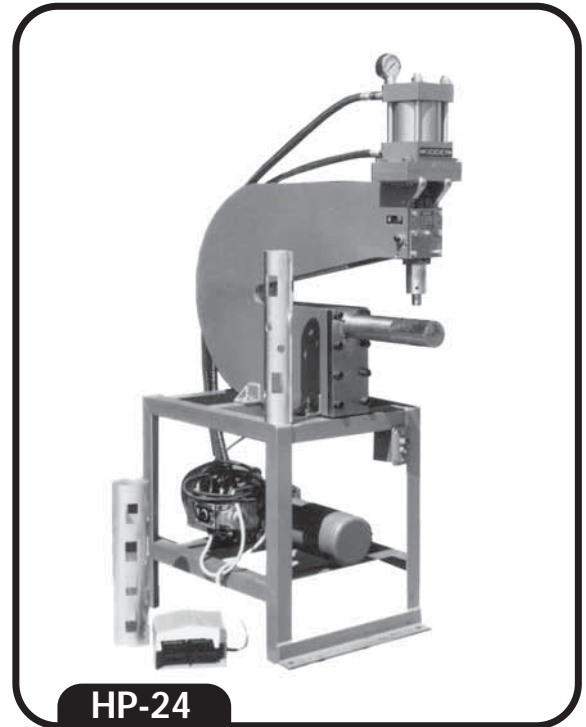
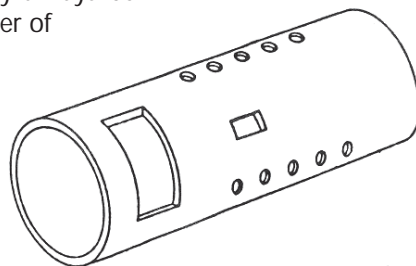
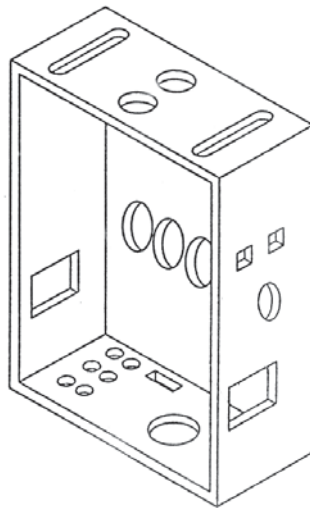
A variety of horns are available to suit many applications. Horn changeover takes about 10 minutes, while tooling, may be exchanged in seconds.

If you are drilling or hand punching holes in flats, tubing, pipe or in the side of boxes, the HP-24 can be a fantastic time - and money – saver. Hole shapes such as squares, rectangles and ovals are an easy chore for this press.

Standard "reach" inside boxes or tubing is a full 10"

Of course, punching of flats may always be done on the HP-24 – to the center of a 48" sheet. Since the entire 2" stroke is powered at 12 tons, building shear into tooling makes work possible much beyond the rated capacity.

Name your application – Kidder will offer specific tooling for your job.



HP-24

Throat Depth: 24 inches

Capacity: 12 tons

Stroke: 2 inches

**Cycle time round trip: Two stage pump
(no load) 22/min**

Hydraulics: 2000 p.s.i., Bi-directional

Electrics: 115VAC – 20 amps

**Controls (115 VAC): Double guarded
foot switch**

Shut height: 6"

Stand: Angle iron

Height (with stand): 64"

Width (with stand): 20"

Depth (with stand): 41"

Horn depth: 11"

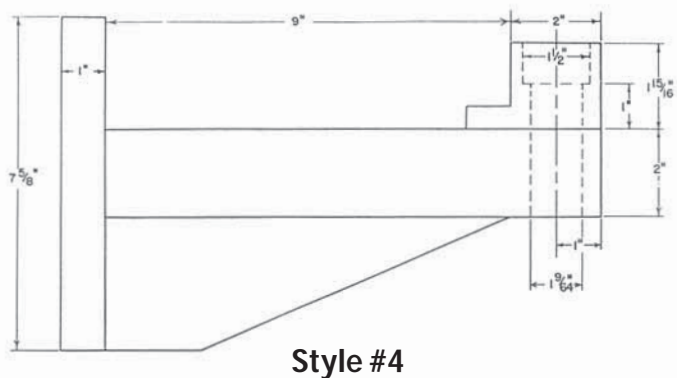
Weight (approximately): 1000 lbs.



805 Prim Road
Colchester, Vermont 05446

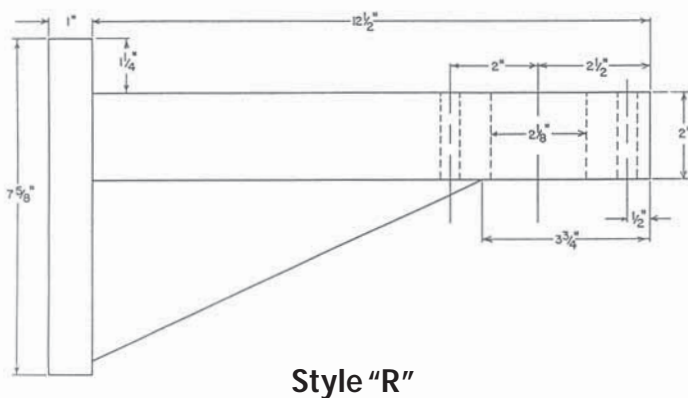
(877) 294-1400 • Fax (877) 294-8600
www.kidder-mfg.com • sales@kidder-mfg.com

These are Just a few of the Horns Available for the Multi-Use Deep Throat Press HP-24



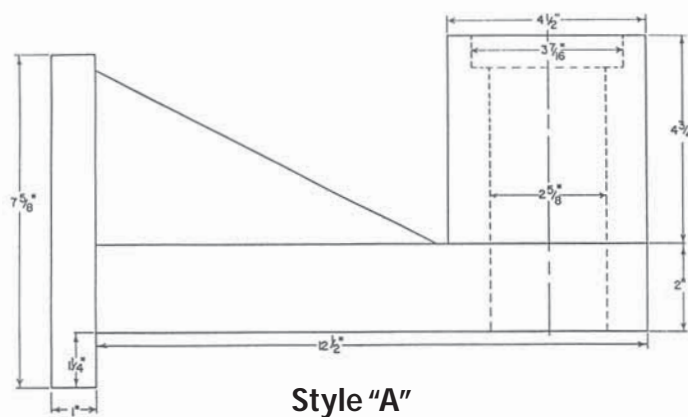
Style #4

Style #4 horn is used for punching of flats and also for punching inside boxes or cabinets. Takes Kidder standard #4 punches and dies. Available are rectangles, squares, ovals, and rounds up to 1-1/8". With adaptors can also be used for Kidder #3 punches, Roper punches and dies, etc.



Style "R"

This is the standard horn shipped with the HP-24. The style "R" horn may be used to punch holes in the sides of rounds – tubing, pipes, round containers, etc. The die fastens directly to the horn and has a radiused upper surface to conform to the I.D. of your pipe and tubing. Diameter of horn can vary for small or large diameters as can all associated tooling.



Style "A"

The style "A" horn will take most "A" series attachments. These attachments can be used for punching, notching, angle shearing, angle notching, pipe notching, etc. It will also take Kidder straight shank punches up to a 2-1/4" diameter as well as many different shapes (squares, rectangle, ovals, etc.) Because the HP-24 is hydraulically powered throughout the entire stroke, it will easily punch a 2" hole in 1/8" mild steel.



805 Prim Road • Colchester, Vermont 05446
 (877) 294-1400 • Fax (877) 294-8600
www.kidder-mfg.com • sales@kidder-mfg.com

Founded in 1902, Kidder is the world's leading manufacturer of notching machines, combination presses, universal presses, brakes, and all associated tooling.



Proudly Made in the USA