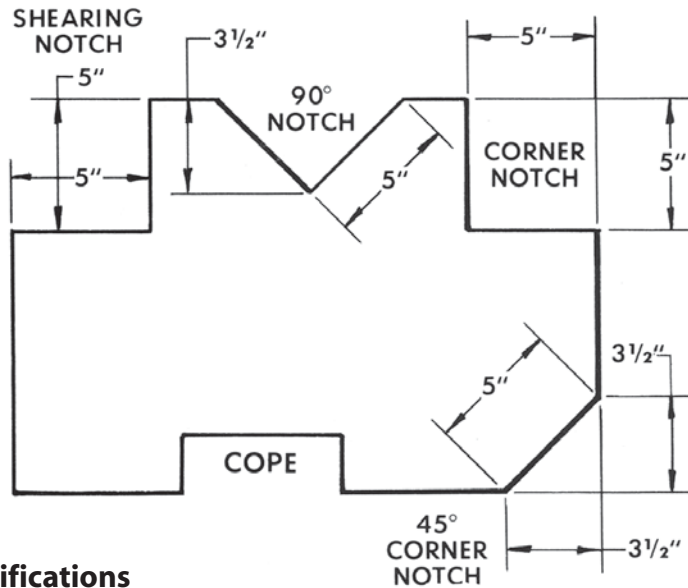


# 43B 5" x 5" - 11 Gauge Heavy Duty Hand Notcher

Extra heavy duty hand notcher with capacity for full 5" x 5" notch in 1/8" mild steel or 14 ga. stainless.

The throat is 7" deep, permitting a full 5" x 5" corner notch. The 43B comes with short and lone handles and can be converted to hydraulic operation using the EMP II system.



## Specifications

Capacity in mild steel	11 ga.
Capacity in stainless steel	14 ga.
Maximum notch in one cut	5" x 5"
Handle length	24" + 63"
Height w/o handle	20"
Width	18"
Depth	26"
Gage size	6-1/4" x 2"
Table size	12" x 18"
Throat Depth	7"
Mounting	Bench or stand
Weight	200 lbs
Standard equipment	ATS Blades (Reversible uppers) Ground gage plate (table) 2 Gauge stops (45 degree mitre on one end) Handles
Options:	High Carbon High Chrome (HCHC) blades Stand EMP II Hydraulic conversion kit



**43B**

- **Heavy Duty! Notches 11 gauge mild steel**
- **Notches 14 gauge stainless**
- **Extra deep throat for full corner notch**
- **Miters, notches, shears, squares, trims**
- **Reversible upper blades for coping, piercing, and splay cutting**
- **No set up - quick precise cuts**
- **Inch and metric scales in the gage plate to aid with set up**
- **Made in the USA**



805 Prim Road  
Colchester, Vermont 05446

(877) 294-1400 • Fax (877) 294-8600  
www.kidder-mfg.com • sales@kidder-mfg.com